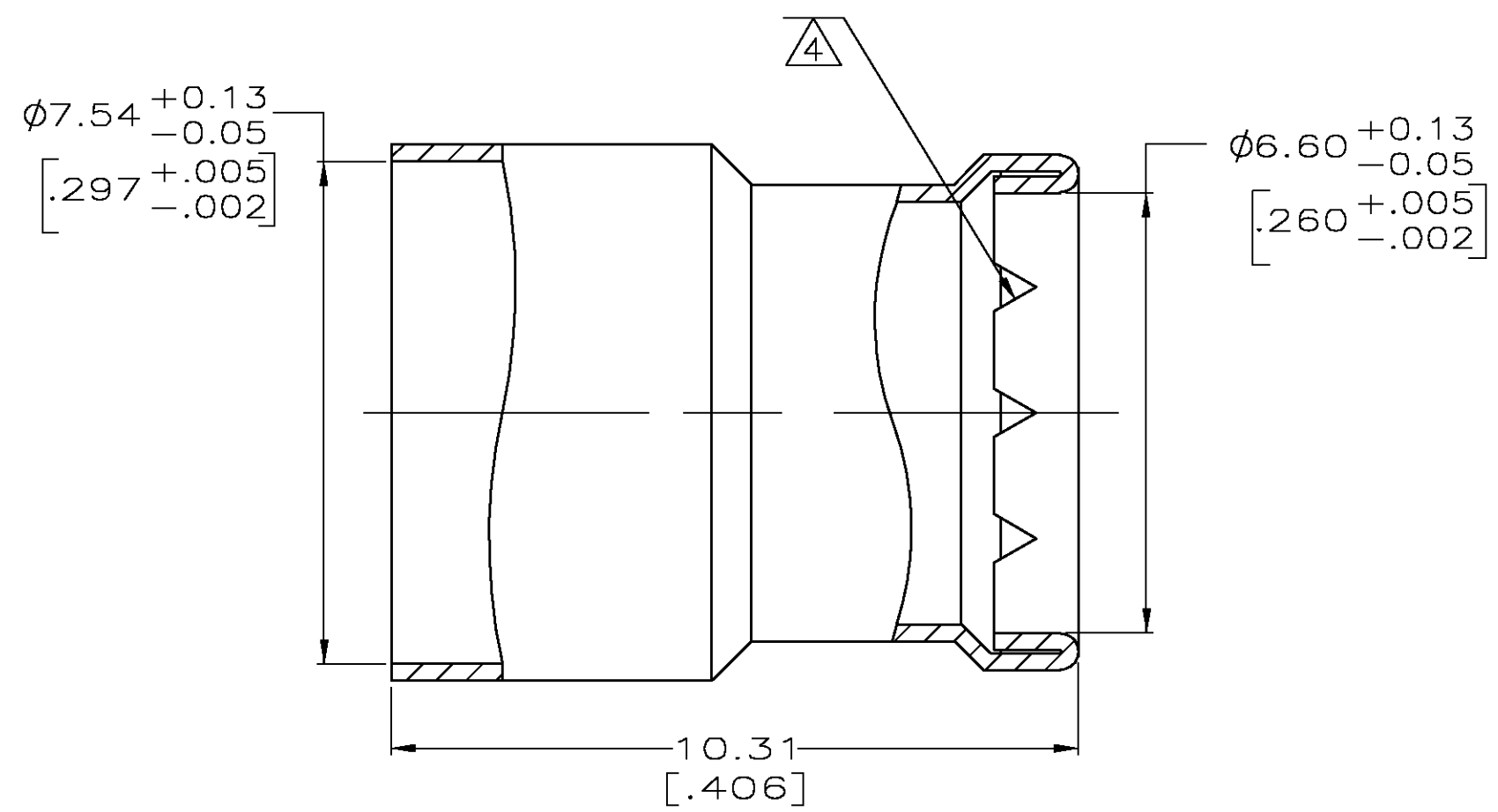


THIS DRAWING IS UNPUBLISHED. RELEASED FOR PUBLICATION  
 © COPYRIGHT BY TYCO ELECTRONICS CORPORATION. ALL RIGHTS RESERVED.

LOC	DIST	REVISIONS			
P	LTR	DESCRIPTION	DATE	DWN	APVD
	F	RDW & REV PER OS14-0114-04	05-10-04	JDP	JL

1. COPPER PER QQ-C-576
2. SILVER PLATE PER QQ-S-365, 5.08μm [.000200] MIN THICKNESS.
3. TIN-LEAD PLATE PER ASTM-B-571, 2.54μm [.000100] MIN THICKNESS, WITH SUPPLEMENTAL ANTI FRETTING LUBRICANT.
4. V SERRATIONS PERMISSIBLE
5. TIN PLATE PER ASTM B-545 WITH SUPPLEMENTAL ANTI-FRETTING LUBRICANT.



5	9-332224-0
3	1-332224-1
2	1-332224-0
FINISH	PART NUMBER

THIS DRAWING IS A CONTROLLED DOCUMENT.		DWN M.E. COWHER 6-19-92	Tyco Electronics Corporation Harrisburg, Pa 17105-3608	
DIMENSIONS: mm [INCHES]		CHK W.R. GRAY 6-22-92		
TOLERANCES UNLESS OTHERWISE SPECIFIED:		APVD M. E. COWHER 06-22-92	NAME FERRULE, STEP DOWN	
		PRODUCT SPEC -	RESTRICTED TO -	
MATERIAL SEE NOTES		APPLICATION SPEC -	SIZE A3	CAGE CODE 00779
FINISH SEE TABLE		WEIGHT -	DRAWING NO C-332224	REV F
CUSTOMER DRAWING			SCALE 10:1	SHEET 1 OF 1